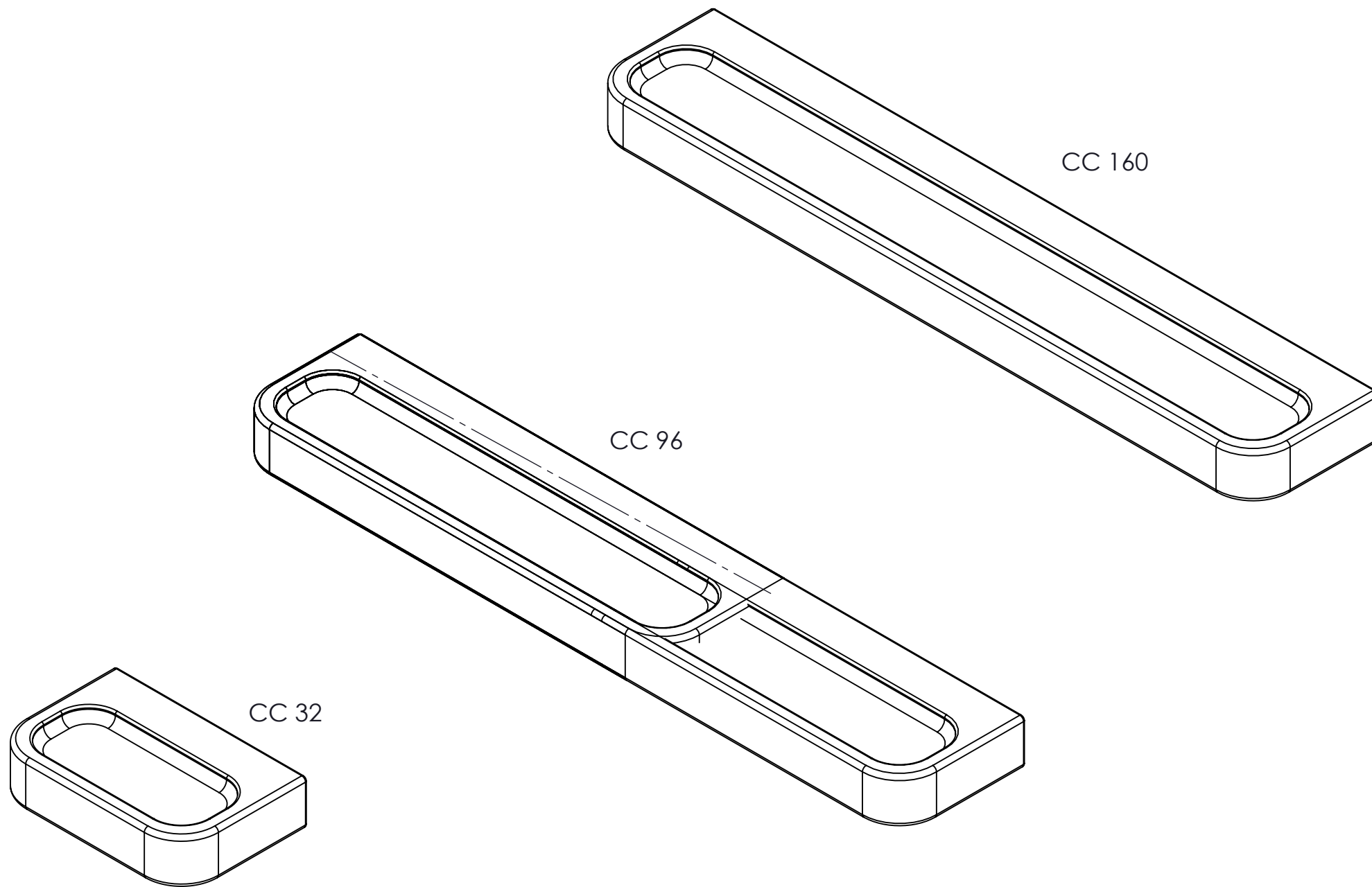


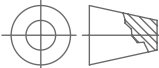

Part name: <b>PLANK</b>	Projection: 	Sheet format: <b>A3</b>	Tolerance unless otherwise specified DS/ISO 2768-1M																	
Designer: Steffensen & Würts	Drawn by: MLR 29-08-2022	Scale: 1:1	<table border="1"> <tr> <td>Linear dimensions:</td> <td>0-3</td> <td>3-6</td> <td>6-30</td> <td>30-120</td> <td>120-400</td> <td>400-1000</td> <td>1000-2000</td> </tr> <tr> <td></td> <td>±0,1</td> <td>±0,1</td> <td>±0,2</td> <td>±0,3</td> <td>±0,5</td> <td>±0,8</td> <td>±1,2</td> </tr> </table>		Linear dimensions:	0-3	3-6	6-30	30-120	120-400	400-1000	1000-2000		±0,1	±0,1	±0,2	±0,3	±0,5	±0,8	±1,2
Linear dimensions:	0-3	3-6	6-30	30-120	120-400	400-1000	1000-2000													
	±0,1	±0,1	±0,2	±0,3	±0,5	±0,8	±1,2													
Part no.: <b>104120xxx</b>	Material: Wood	Sheet 1 of 2	Weight:	<table border="1"> <tr> <td>Angle</td> <td>Radius</td> <td></td> <td></td> </tr> <tr> <td>±0,5°</td> <td>±5%</td> <td></td> <td></td> </tr> </table>	Angle	Radius			±0,5°	±5%										
Angle	Radius																			
±0,5°	±5%																			
<table border="1"> <tr> <th>Rev.:</th> <th>Date:</th> <th>Name:</th> <th>Description:</th> </tr> <tr> <td> </td> <td> </td> <td> </td> <td> </td> </tr> <tr> <td> </td> <td> </td> <td> </td> <td> </td> </tr> <tr> <td> </td> <td> </td> <td> </td> <td> </td> </tr> </table>		Rev.:	Date:	Name:	Description:													<p><b>furnipart®</b></p> <p>Delta 2 Phone: +45 87 64 35 00 DK-8382 Hinnerup E-mail: fp@furnipart.com</p>		
Rev.:	Date:	Name:	Description:																	
COPYRIGHT: THIS DRAWING MAY NOT BE COPIED OR REPRODUCED IN ANY WAY WITHOUT DIRECT PERMISSION FROM FURNIPART A/S																				

Part no.	L	C/C
104120096	116	96
104120160	180	160



Part no.	L	C/C
xxx	52	32
xxx	116	96
xxx	180	160

Rev.:	Date:	Name:	Description:

Part name: <b>Collection no. 21</b>	Projection: 	Sheet format: <b>A3</b>	Tolerance unless otherwise specified DS/ISO 2768-1M Linear dimensions: <table border="1"> <tr> <td>0-3</td> <td>3-6</td> <td>6-30</td> <td>30-120</td> <td>120-400</td> <td>400-1000</td> <td>1000-2000</td> </tr> <tr> <td>±0,1</td> <td>±0,1</td> <td>±0,2</td> <td>±0,3</td> <td>±0,5</td> <td>±0,8</td> <td>±1,2</td> </tr> </table>	0-3	3-6	6-30	30-120	120-400	400-1000	1000-2000	±0,1	±0,1	±0,2	±0,3	±0,5	±0,8	±1,2
0-3	3-6	6-30		30-120	120-400	400-1000	1000-2000										
±0,1	±0,1	±0,2	±0,3	±0,5	±0,8	±1,2											
Designer:	Drawn by: MLR 29-08-2022	Scale: 1:1	Angle ±0,5°														
Part no.: <b>DP 2200366</b>	Material: Wood	Sheet 2 of 2	Radius ±5%														
Weight:		 Delta 2 Phone: +45 87 64 35 00 DK-8382 Hinnerup E-mail: fp@furnipart.com															
COPYRIGHT: THIS DRAWING MAY NOT BE COPIED OR REPRODUCED IN ANY WAY WITHOUT DIRECT PERMISSION FROM FURNIPART A/S																	