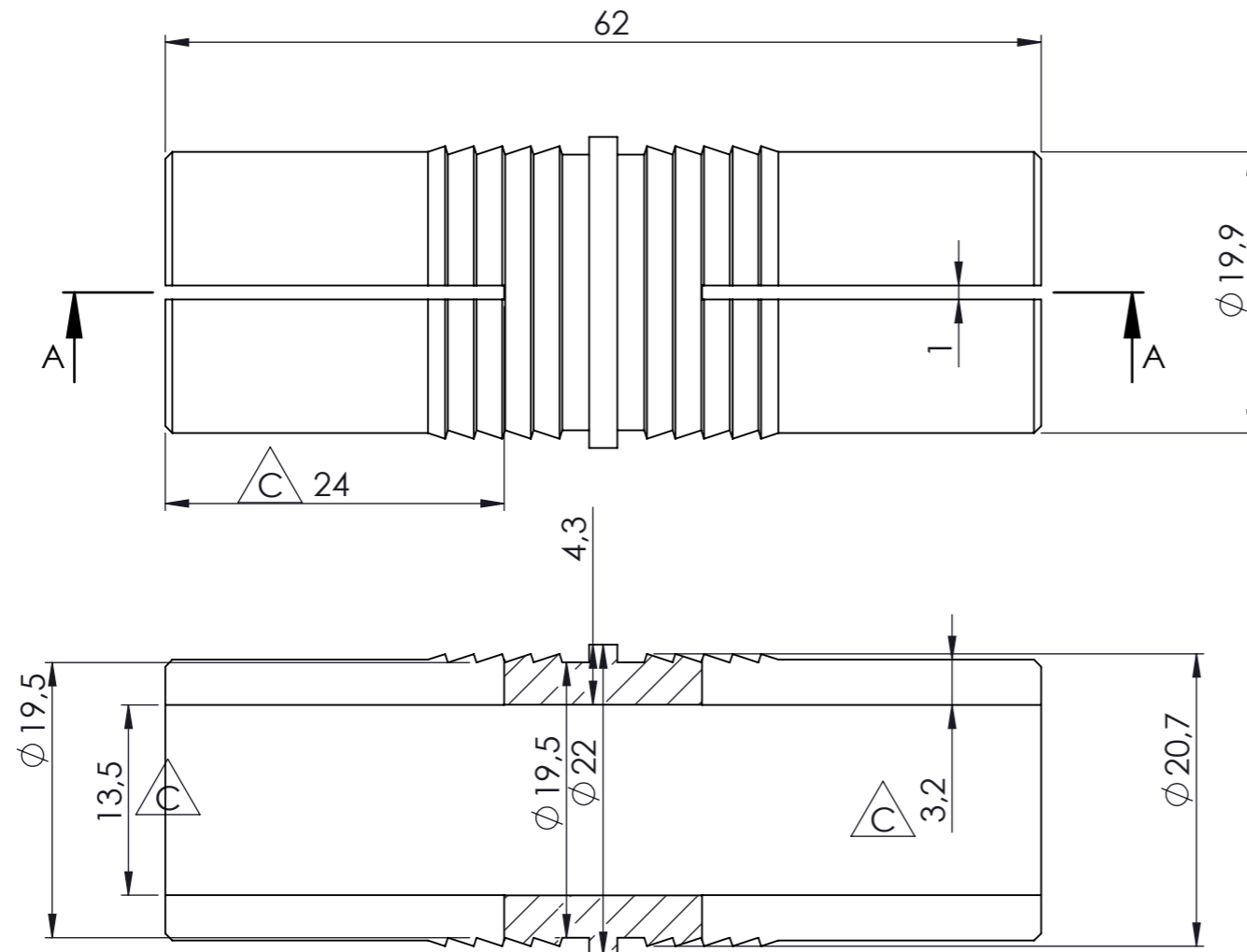
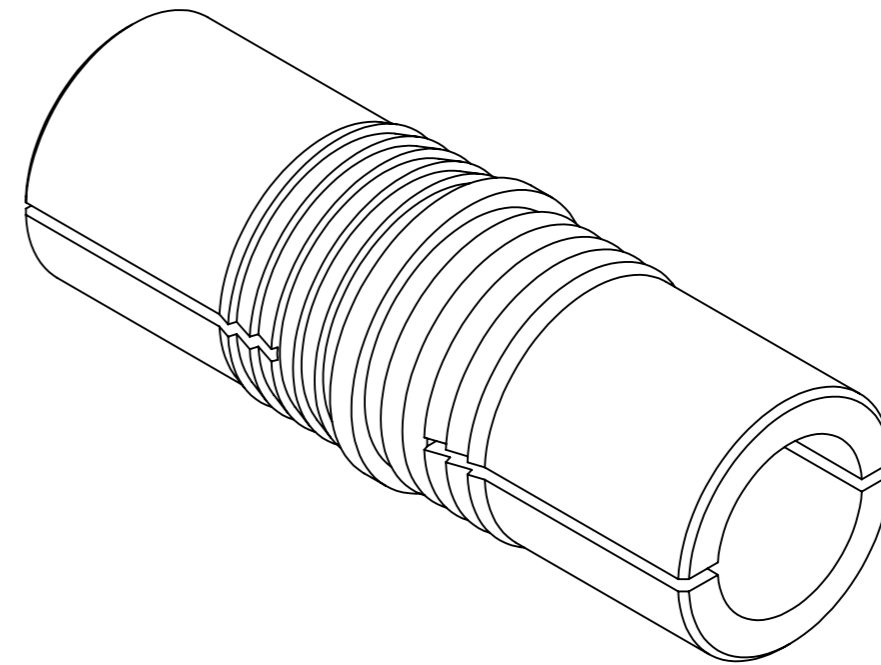
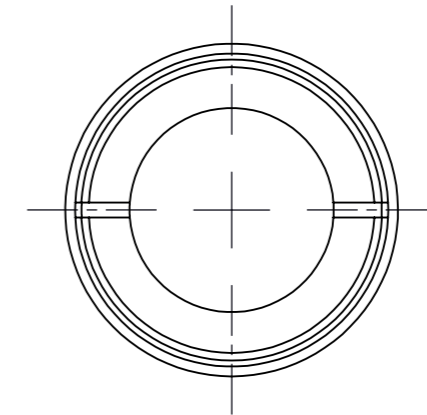


PD 207700A



SECTION A-A



| Rev.: | Date:      | Name: | Description:     |
|-------|------------|-------|------------------|
| A     | 01-02-2021 | MCH   | Geometry changed |
| B     | 16-04-2021 | MCH   | Cutout changed   |
| C     | 19-04-2021 | MCH   | Geometry changed |
| D     |            |       |                  |

|   |                          |   |   |         |          |           |      |        |         |          |           |      |      |      |      |      |      |      |
|---|--------------------------|---|---|---------|----------|-----------|------|--------|---------|----------|-----------|------|------|------|------|------|------|------|
| Part name:  | Projection:              | Sheet format: A3  | Tolerance unless otherwise specified DS/ISO 2768-1M   |         |          |           |      |        |         |          |           |      |      |      |      |      |      |      |
| Designer:   | Drawn by: MCH 02-12-2020 | Scale: 2:1  | Linear dimensions: <table border="1"><tr><td>0-3</td><td>3-6</td><td>6-30</td><td>30-120</td><td>120-400</td><td>400-1000</td><td>1000-2000</td></tr><tr><td>±0,1</td><td>±0,1</td><td>±0,2</td><td>±0,3</td><td>±0,5</td><td>±0,8</td><td>±1,2</td></tr></table> |         | 0-3      | 3-6       | 6-30 | 30-120 | 120-400 | 400-1000 | 1000-2000 | ±0,1 | ±0,1 | ±0,2 | ±0,3 | ±0,5 | ±0,8 | ±1,2 |
| 0-3   | 3-6                      | 6-30  | 30-120  | 120-400 | 400-1000 | 1000-2000 |      |        |         |          |           |      |      |      |      |      |      |      |
| ±0,1  | ±0,1                     | ±0,2  | ±0,3  | ±0,5    | ±0,8     | ±1,2      |      |        |         |          |           |      |      |      |      |      |      |      |
| Part no.: 110060.1  | Sheet 1 of 1             | AngleRadius: <table border="1"><tr><td>±0,5°</td><td>±5%</td></tr></table>      |   |         | ±0,5°    | ±5%       |      |        |         |          |           |      |      |      |      |      |      |      |
| ±0,5°   | ±5%                      |   |   |         |          |           |      |        |         |          |           |      |      |      |      |      |      |      |
| Material: Material <not specified>  | Weight: 10.31            | <br>Delta 2 Phone: +45 87 64 35 00<br>DK-8382 Hinnerup E-mail: fp@furnipart.com |   |         |          |           |      |        |         |          |           |      |      |      |      |      |      |      |
| COPYRIGHT: THIS DRAWING MAY NOT BE COPIED OR REPRODUCED IN ANY WAY WITHOUT DIRECT PERMISSION FROM FURNIPART A/S |                          |   |   |         |          |           |      |        |         |          |           |      |      |      |      |      |      |      |