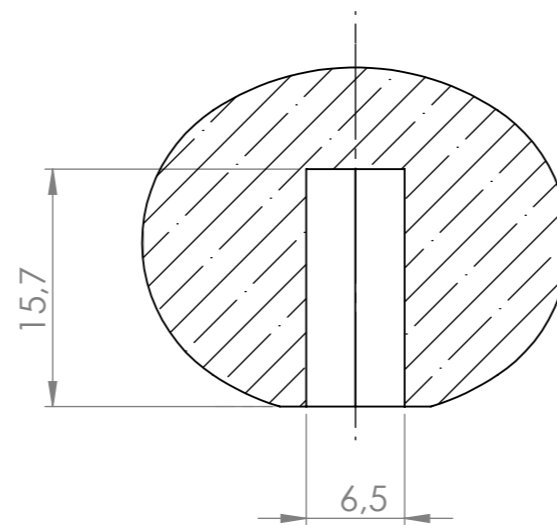
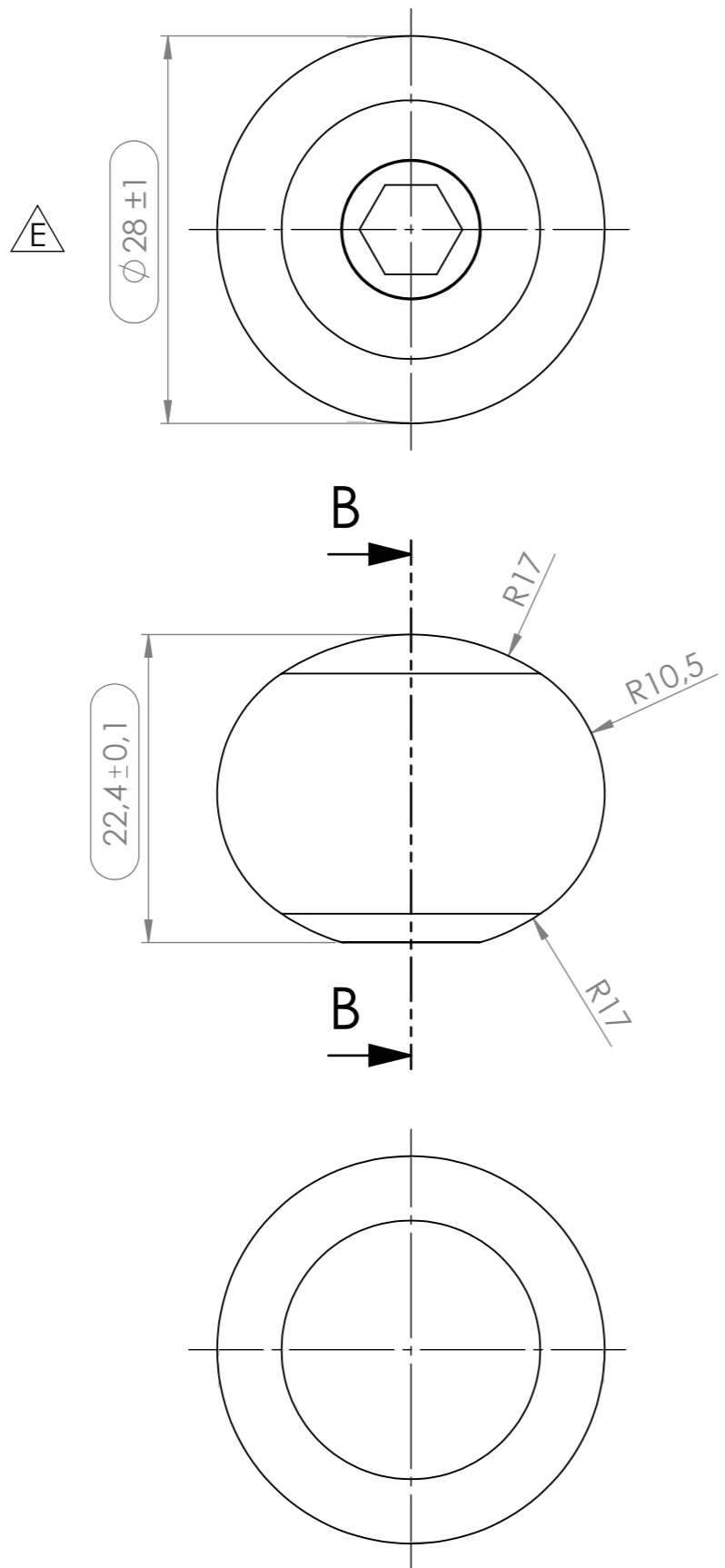
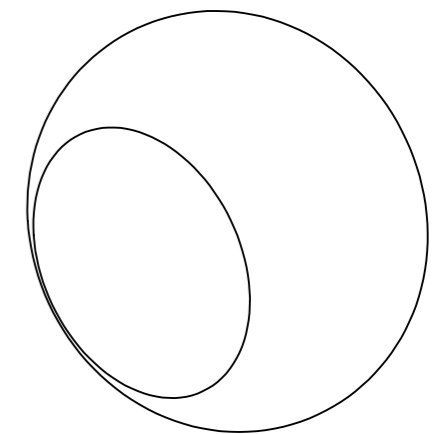


Rev.:	Date:	Name:	Description:
E	31-03-2020	MCH	diameter changed from 28,5 to 28
D	08-01-2020	MCH	Dimension added
C	04-10-2019	MCH	Foot changed from Zinc to Stainless steel (Part no. changed)
B	12-12-2016	IKR	Tolerances adjusted

Part name: BEAD	Projection: 	Sheet format: A3	Tolerance unless otherwise specified DS/ISO 2768-1M Linear dimensions: <table border="1"> <tr> <td>0-3</td><td>3-6</td><td>6-30</td><td>30-120</td><td>120-400</td><td>400-1000</td><td>1000-2000</td><td>2000-4000</td> </tr> <tr> <td>± 0.1</td><td>± 0.1</td><td>± 0.2</td><td>± 0.3</td><td>± 0.5</td><td>± 0.8</td><td>± 1.2</td><td>± 2</td> </tr> </table>	0-3	3-6	6-30	30-120	120-400	400-1000	1000-2000	2000-4000	± 0.1	± 0.1	± 0.2	± 0.3	± 0.5	± 0.8	± 1.2	± 2
0-3	3-6	6-30		30-120	120-400	400-1000	1000-2000	2000-4000											
± 0.1	± 0.1	± 0.2	± 0.3	± 0.5	± 0.8	± 1.2	± 2												
Customer:	Drawn by: IKR date 25-11-2016	Scale: 2:1	<table border="1"> <tr> <td>Angle</td> <td>Radius</td> </tr> <tr> <td>± 0.5°</td> <td>± 0.2</td> </tr> </table>	Angle	Radius	± 0.5°	± 0.2												
Angle	Radius																		
± 0.5°	± 0.2																		
Part no.: 242035028	Page 1 of 5	Material: -	<div style="text-align: center;"> <p>Delta 2 Phone: +45 87 64 35 00 DK-8382 Hinnerup Fax: +45 87 64 35 01</p> </div>																
Weight: 10.98 grams	COPYRIGHT: THIS DRAWING MAY NOT BE COPIED OR REPRODUCED IN ANY WAY WITHOUT DIRECT PERMISSION FROM FURNIPART A/S																		

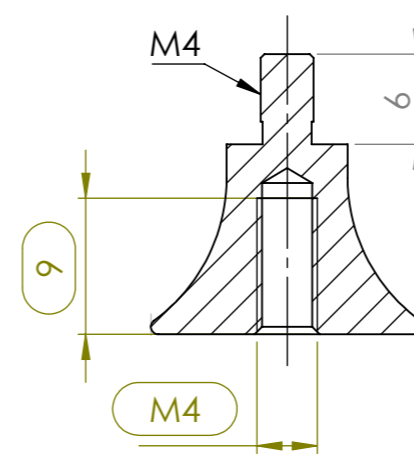
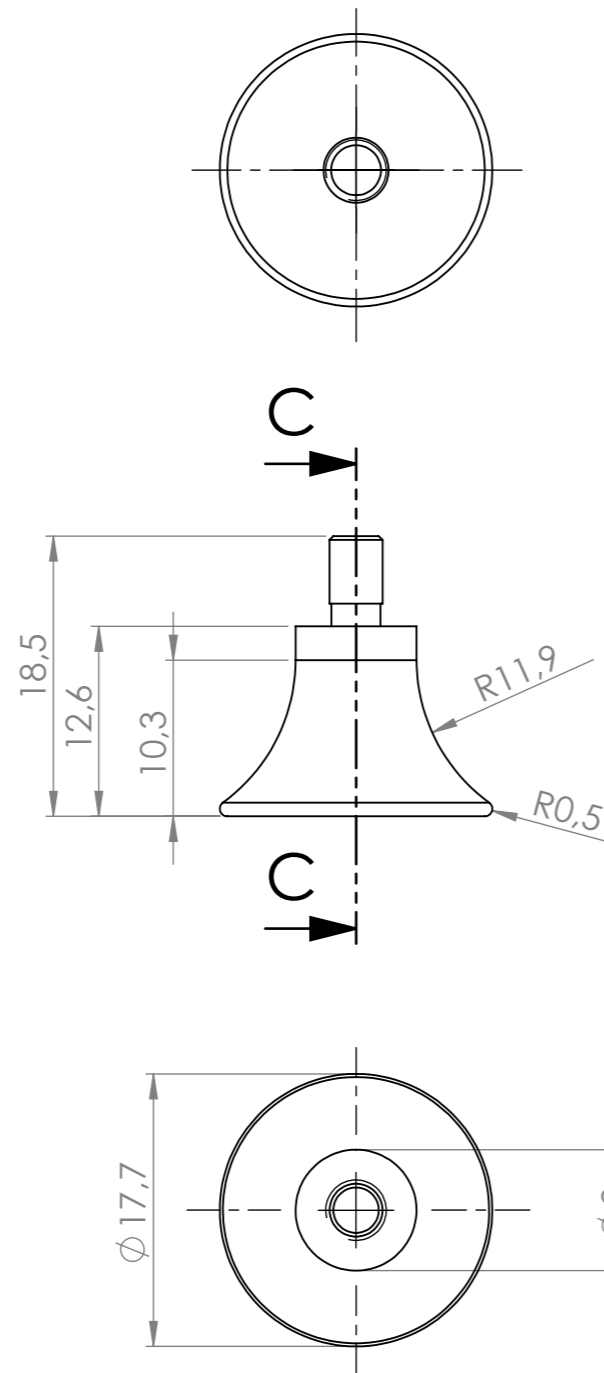


SECTION B-B

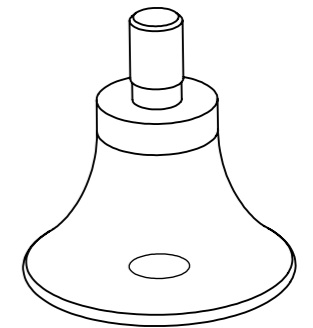


Rev.:	Date:	Name:	Description:
E	31-03-2020	MCH	Dimension changed from 28,5 to 28
D	08-01-2020	MCH	Dimension added
C	04-10-2019	MCH	Foot changed from Zinc to stainless steel (part no. changed)
B	12-12-2016	IKR	Tolerances adjusted

Part name: BEAD	Projection: 	Sheet format: A3	Tolerance unless otherwise specified DS/ISO 2768-1M																						
Customer:	Drawn by: IKR date 25.11.2016	Scale: 2:1																							
Part no.: 242035028 part 1	Page 2 of 5	Weight: 25.72 grams	<table border="1"> <thead> <tr> <th>Linear dimensions:</th> <th>0-3</th> <th>3-6</th> <th>6-30</th> <th>30-120</th> <th>120-400</th> <th>400-1000</th> <th>1000-2000</th> <th>2000-4000</th> </tr> </thead> <tbody> <tr> <td></td> <td>± 0.1</td> <td>± 0.1</td> <td>± 0.2</td> <td>± 0.3</td> <td>± 0.5</td> <td>± 0.8</td> <td>± 1.2</td> <td>± 2</td> </tr> </tbody> </table> <table border="1"> <thead> <tr> <th>Angle</th> <th>Radius</th> </tr> </thead> <tbody> <tr> <td>± 0.5°</td> <td>± 0.2</td> </tr> </tbody> </table>	Linear dimensions:	0-3	3-6	6-30	30-120	120-400	400-1000	1000-2000	2000-4000		± 0.1	± 0.1	± 0.2	± 0.3	± 0.5	± 0.8	± 1.2	± 2	Angle	Radius	± 0.5°	± 0.2
Linear dimensions:	0-3	3-6	6-30	30-120	120-400	400-1000	1000-2000	2000-4000																	
	± 0.1	± 0.1	± 0.2	± 0.3	± 0.5	± 0.8	± 1.2	± 2																	
Angle	Radius																								
± 0.5°	± 0.2																								
Material: Marble																									
<small>Delta 2 DK-8382 Hinnerup Phone: +45 87 64 35 00 Fax: +45 87 64 35 01</small>																									
<small>COPYRIGHT: THIS DRAWING MAY NOT BE COPIED OR REPRODUCED IN ANY WAY WITHOUT DIRECT PERMISSION FROM FURNIPART A/S</small>																									

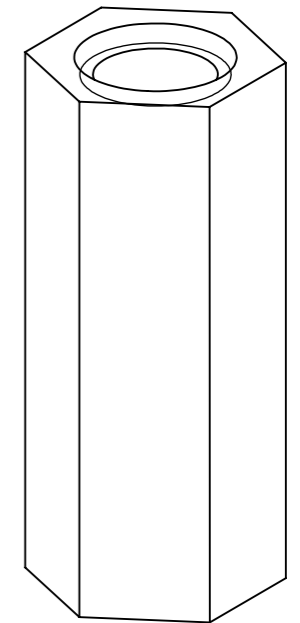
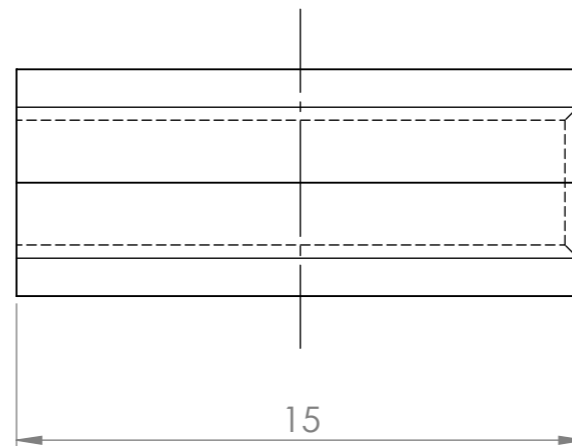
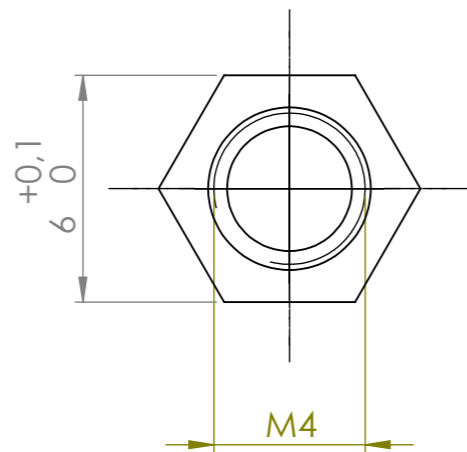


SECTION C-C

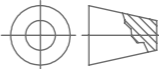



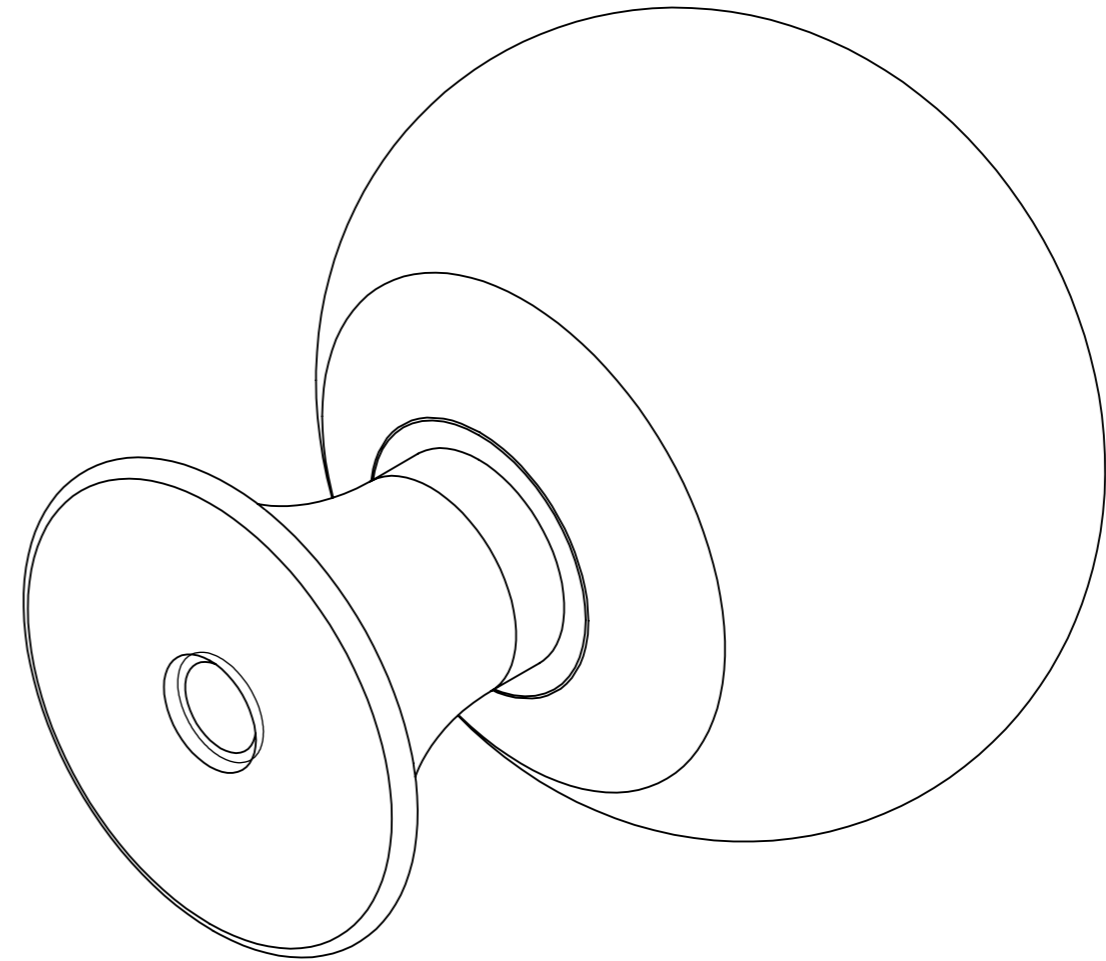
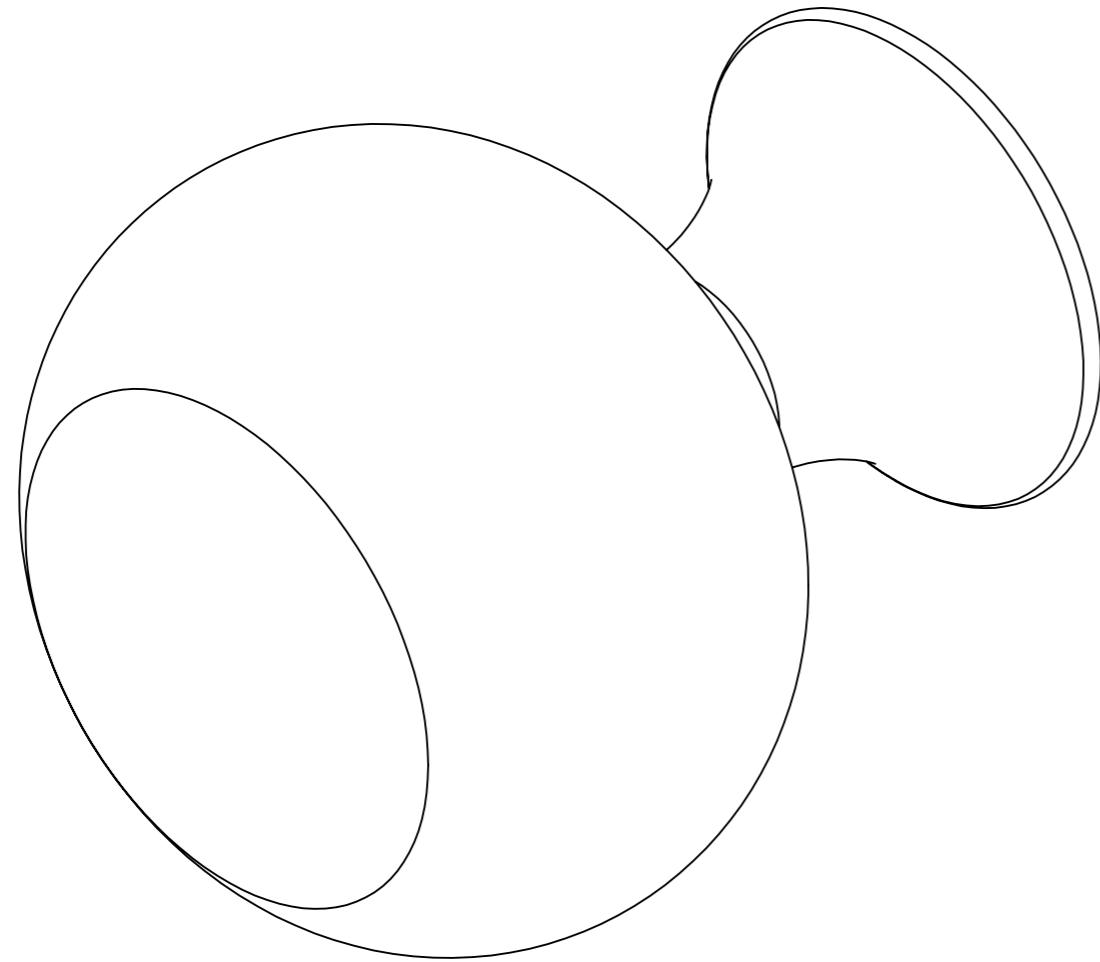
Rev.:	Date:	Name:	Description:
B	04-10-2019	MCH	Foot changed from zinc to stainless steel (part no. changed)
A	25-11-2016	IKR	Initial release

Part name: BEAD	Projection: 	Sheet format: A3	Tolerance unless otherwise specified DS/ISO 2768-1M Linear dimensions: <table border="1"> <tr> <td>0-3</td><td>3-6</td><td>6-30</td><td>30-120</td><td>120-400</td><td>400-1000</td><td>1000-2000</td><td>2000-4000</td> </tr> <tr> <td>± 0.1</td><td>± 0.1</td><td>± 0.2</td><td>± 0.3</td><td>± 0.5</td><td>± 0.8</td><td>± 1.2</td><td>± 2</td> </tr> </table>	0-3	3-6	6-30	30-120	120-400	400-1000	1000-2000	2000-4000	± 0.1	± 0.1	± 0.2	± 0.3	± 0.5	± 0.8	± 1.2	± 2
0-3	3-6	6-30		30-120	120-400	400-1000	1000-2000	2000-4000											
± 0.1	± 0.1	± 0.2	± 0.3	± 0.5	± 0.8	± 1.2	± 2												
Customer:	Drawn by: IKR date 25-11-2016	Scale: 2:1	<table border="1"> <tr> <td>Angle</td> <td>Radius</td> <td> </td> <td> </td> </tr> <tr> <td>± 0.5°</td> <td>± 0.2</td> <td> </td> <td> </td> </tr> </table>	Angle	Radius			± 0.5°	± 0.2										
Angle	Radius																		
± 0.5°	± 0.2																		
Part no.: 242035028 part 2	Material: Zinc	Page 3 of 5	 Delta 2 Phone: +45 87 64 35 00 DK-8382 Hinnerup Fax: +45 87 64 35 01																
	Weight: 8.29 grams																		



Rev.:	Date:	Name:	Description:

Part name: BEAD	Projection: 	Sheet format: A3	Tolerance unless otherwise specified DS/ISO 2768-1M Linear dimensions: <table border="1"> <tr> <td>0-3</td> <td>3-6</td> <td>6 - 30</td> <td>30- 120</td> <td>120- 400</td> <td>400- 1000</td> <td>1000- 2000</td> <td>2000 - 4000</td> </tr> <tr> <td>± 0.1</td> <td>± 0.1</td> <td>± 0.2</td> <td>± 0.3</td> <td>± 0.5</td> <td>± 0.8</td> <td>± 1.2</td> <td>± 2</td> </tr> </table>	0-3	3-6	6 - 30	30- 120	120- 400	400- 1000	1000- 2000	2000 - 4000	± 0.1	± 0.1	± 0.2	± 0.3	± 0.5	± 0.8	± 1.2	± 2
0-3	3-6	6 - 30		30- 120	120- 400	400- 1000	1000- 2000	2000 - 4000											
± 0.1	± 0.1	± 0.2	± 0.3	± 0.5	± 0.8	± 1.2	± 2												
Customer:	Drawn by: IKR date 25-11-2016	Scale: 5:1	<table border="1"> <tr> <td>Angle</td> <td>Radius</td> <td> </td> <td> </td> </tr> <tr> <td>± 0.5°</td> <td>± 0.2</td> <td> </td> <td> </td> </tr> </table>	Angle	Radius			± 0.5°	± 0.2										
Angle	Radius																		
± 0.5°	± 0.2																		
Part no.: 242035028 part 3	Page 4 of 5	 Delta 2 Phone: +45 87 64 35 00 DK-8382 Hinnerup Fax: +45 87 64 35 01																	
Material: Brass	Weight: grams																		
COPYRIGHT: THIS DRAWING MAY NOT BE COPIED OR REPRODUCED IN ANY WAY WITHOUT DIRECT PERMISSION FROM FURNIPART A/S																			



Rev.:	Date:	Name:	Description:
E	31-03-2020	MCH	diameter changed from 28,5 to 28
D	08-01-2020	MCH	Dimension added
C	04-10-2019	MCH	Foot changed from Zinc to Stainless steel (Part no. changed)
B	12-12-2016	IKR	Tolerances adjusted

Part name: BEAD	Projection: 	Sheet format: A3	Tolerance unless otherwise specified DS/ISO 2768-1M																		
Customer:	Drawn by: IKR date 25-11-2016	Scale: 4:1																			
Part no.: 242035028	Material: -	Page 5 of 5	<table border="1"> <tr> <td>Linear dimensions:</td> <td>0-3</td> <td>3-6</td> <td>6 - 30</td> <td>30- 120</td> <td>120- 400</td> <td>400- 1000</td> <td>1000- 2000</td> <td>2000 - 4000</td> </tr> <tr> <td></td> <td>± 0.1</td> <td>± 0.1</td> <td>± 0.2</td> <td>± 0.3</td> <td>± 0.5</td> <td>± 0.8</td> <td>± 1.2</td> <td>± 2</td> </tr> </table>	Linear dimensions:	0-3	3-6	6 - 30	30- 120	120- 400	400- 1000	1000- 2000	2000 - 4000		± 0.1	± 0.1	± 0.2	± 0.3	± 0.5	± 0.8	± 1.2	± 2
Linear dimensions:	0-3	3-6	6 - 30	30- 120	120- 400	400- 1000	1000- 2000	2000 - 4000													
	± 0.1	± 0.1	± 0.2	± 0.3	± 0.5	± 0.8	± 1.2	± 2													
		Weight: 10.98 grams	<table border="1"> <tr> <td>Angle</td> <td>Radius</td> </tr> <tr> <td>± 0.5°</td> <td>± 0.2</td> </tr> </table>	Angle	Radius	± 0.5°	± 0.2														
Angle	Radius																				
± 0.5°	± 0.2																				
			<p>Delta 2 Phone: +45 87 64 35 00 DK-8382 Hinnerup Fax: +45 87 64 35 01</p>																		
COPYRIGHT: THIS DRAWING MAY NOT BE COPIED OR REPRODUCED IN ANY WAY WITHOUT DIRECT PERMISSION FROM FURNIPART A/S																					