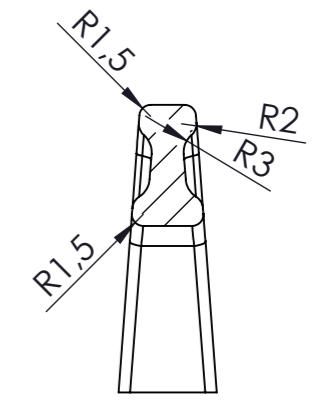
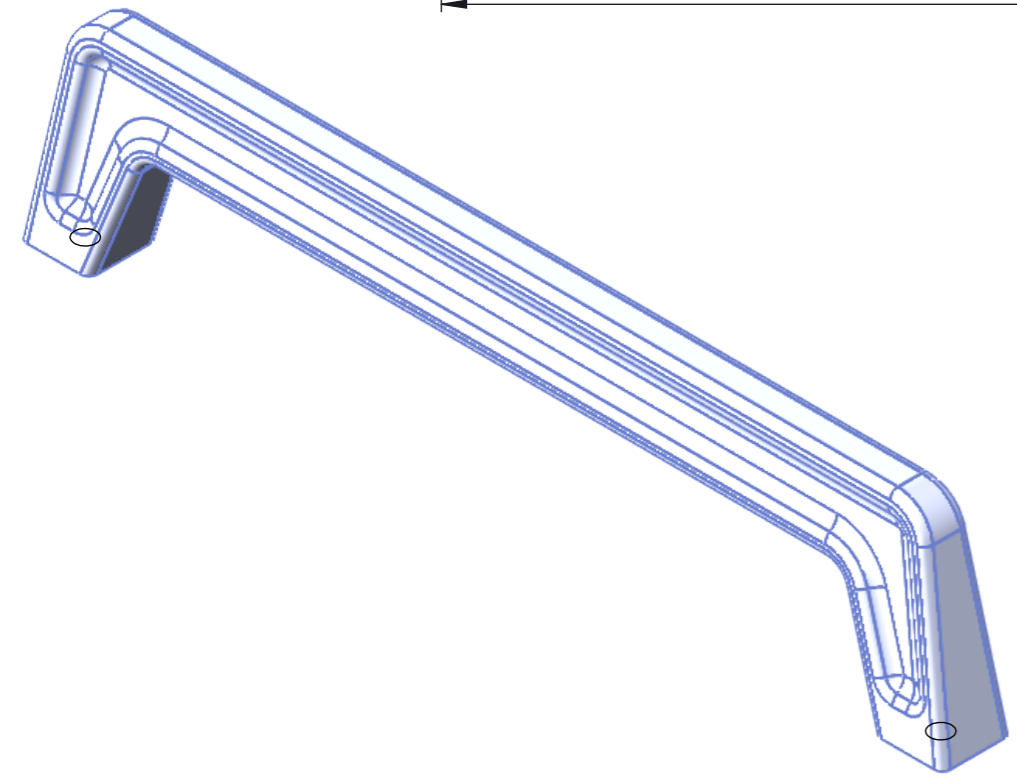
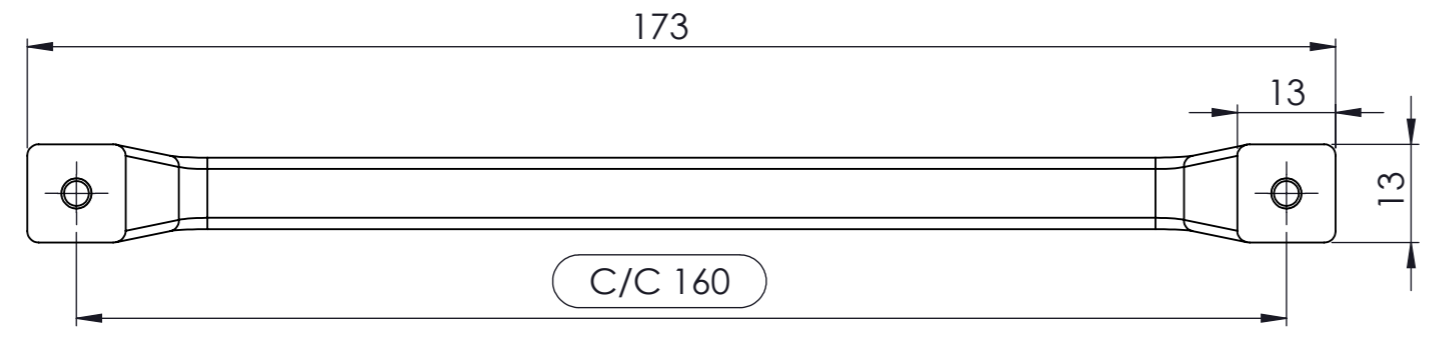


SECTION A-A



SECTION B-B



Rev.:	Date:	Name:	Description:
A			
B			
C			
D			

Part name:	Projection:	Sheet format: A3	Tolerance unless otherwise specified DS/ISO 2768-1M Linear dimensions: <table border="1"><tr><td>0-3</td><td>3-6</td><td>6-30</td><td>30-120</td><td>120-400</td><td>400-1000</td><td>1000-2000</td></tr><tr><td>±0,1</td><td>±0,1</td><td>±0,2</td><td>±0,3</td><td>±0,5</td><td>±0,8</td><td>±1,2</td></tr></table>	0-3	3-6	6-30	30-120	120-400	400-1000	1000-2000	±0,1	±0,1	±0,2	±0,3	±0,5	±0,8	±1,2
0-3	3-6	6-30		30-120	120-400	400-1000	1000-2000										
±0,1	±0,1	±0,2	±0,3	±0,5	±0,8	±1,2											
Designer: Jakob Kamper	Drawn by: MCH 09-10-2018	Scale: 1:1	Angle Radius: <table border="1"><tr><td>±0,5°</td><td>±5%</td></tr></table>	±0,5°	±5%												
±0,5°	±5%																
Part no.: 300060160	Material: Casted iron	Sheet 1 of 1	 Delta 2 Phone: +45 87 64 35 00 DK-8382 Hinnerup E-mail: fp@furnipart.com														
Material: Casted iron	Weight: gram																