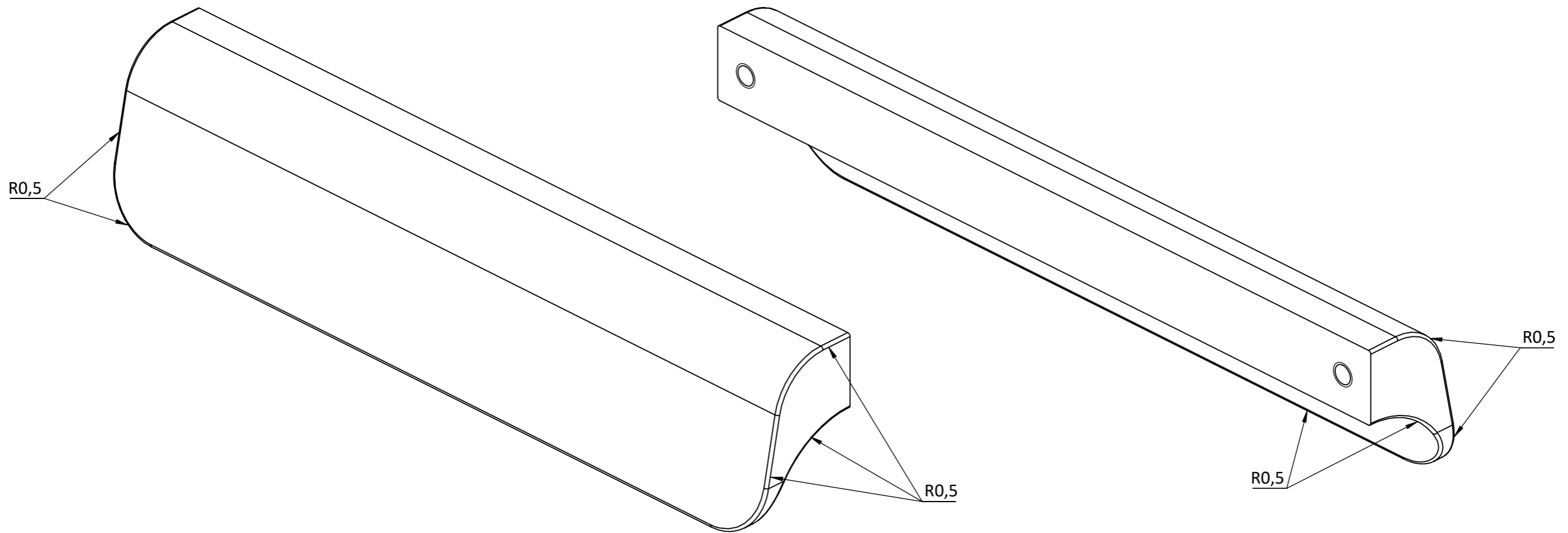


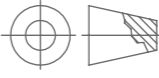
PART NO.	C/C MM	LENGTH MM	WEIGHT GRAM
434320016	16	28	20.42
434320064	64	76	63,03
434320096	96	108 $\triangle E$	79,22
434320128	128	140	105.63
434320160	160	172 $\triangle F$	
434320192	192	204 $\triangle E$	158,45
434320224	224	236	178.68
434320320	320	332 $\triangle F$	

Rev.:	Date:	Name:	Description:
C	26-10-2017	IBL	Model material and weight updated
D	16-02-2018	BSC	Length added
E	03-04-2018	BSC	Length added
F	03-10-2018	MCH	Lengths added

Part name: FALL	Projection: 	Sheet format: A3	Tolerance unless otherwise specified DS/ISO 2768-1M Linear dimensions:																		
Customer: XXX	Drawn by: IKR	Scale: 1:1																			
Part no.: 434320XXX	Material: ALU	Sheet 1 of 2	Weight: XXX																		
COPYRIGHT: THIS DRAWING MAY NOT BE COPIED OR REPRODUCED IN ANY WAY WITHOUT DIRECT PERMISSION FROM FURNIPART A/S			<table border="1"> <thead> <tr> <th>0-3</th> <th>3-6</th> <th>6-30</th> <th>30-120</th> <th>120-400</th> <th>400-1000</th> <th>1000-2000</th> </tr> </thead> <tbody> <tr> <td>±0,1</td> <td>±0,1</td> <td>±0,2</td> <td>±0,3</td> <td>±0,5</td> <td>±0,8</td> <td>±1,2</td> </tr> </tbody> </table> <table border="1"> <thead> <tr> <th>Angle</th> <th>Radius</th> </tr> </thead> <tbody> <tr> <td>±0,5°</td> <td>±5%</td> </tr> </tbody> </table> Delta 2 Phone: +45 87 64 35 00 DK-8382 Hinnerup E-mail: fp@furnipart.com	0-3	3-6	6-30	30-120	120-400	400-1000	1000-2000	±0,1	±0,1	±0,2	±0,3	±0,5	±0,8	±1,2	Angle	Radius	±0,5°	±5%
0-3	3-6	6-30	30-120	120-400	400-1000	1000-2000															
±0,1	±0,1	±0,2	±0,3	±0,5	±0,8	±1,2															
Angle	Radius																				
±0,5°	±5%																				



Rev.:	Date:	Name:	Description:
C	26-10-2017	IBL	Model material and weight updated
D	16-02-2018	BSC	Length added
E	03-04-2018	BSC	Length added
F	03-10-2018	MCH	Lengths added

Part name: FALL	Projection: 	Sheet format: A3	Tolerance unless otherwise specified DS/ISO 2768-1M Linear dimensions: <table border="1"> <thead> <tr> <th>0-3</th> <th>3-6</th> <th>6-30</th> <th>30-120</th> <th>120-400</th> <th>400-1000</th> <th>1000-2000</th> </tr> </thead> <tbody> <tr> <td>±0,1</td> <td>±0,1</td> <td>±0,2</td> <td>±0,3</td> <td>±0,5</td> <td>±0,8</td> <td>±1,2</td> </tr> </tbody> </table>	0-3	3-6	6-30	30-120	120-400	400-1000	1000-2000	±0,1	±0,1	±0,2	±0,3	±0,5	±0,8	±1,2
0-3	3-6	6-30		30-120	120-400	400-1000	1000-2000										
±0,1	±0,1	±0,2	±0,3	±0,5	±0,8	±1,2											
Customer: XXX	Drawn by: IKR	Scale: 1.5:1															
Part no.: 434320XXX	Sheet 2 of 2	Angle ±0,5°	Radius ±5%														
Material: ALU	Weight: 105.63	furnipart® Delta 2 Phone: +45 87 64 35 00 DK-8382 Hinnerup E-mail: fp@furnipart.com															
COPYRIGHT: THIS DRAWING MAY NOT BE COPIED OR REPRODUCED IN ANY WAY WITHOUT DIRECT PERMISSION FROM FURNIPART A/S																	