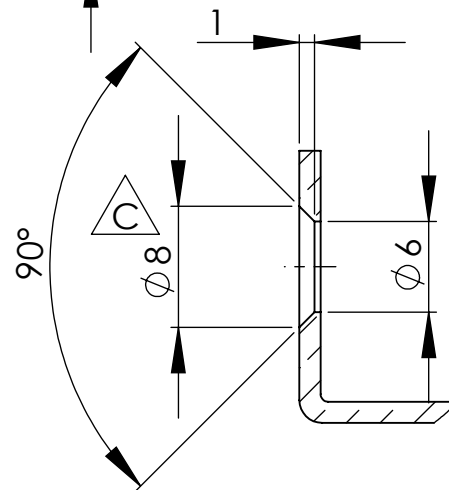
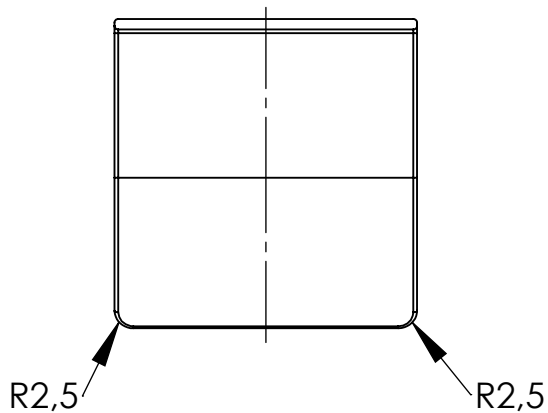
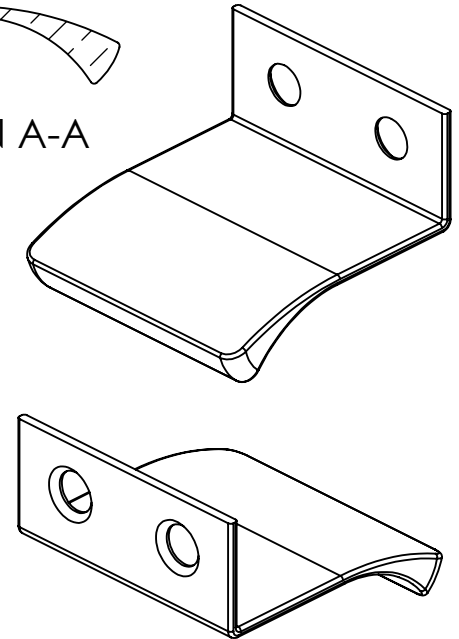
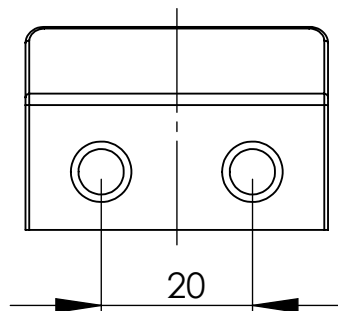


SECTION A-A

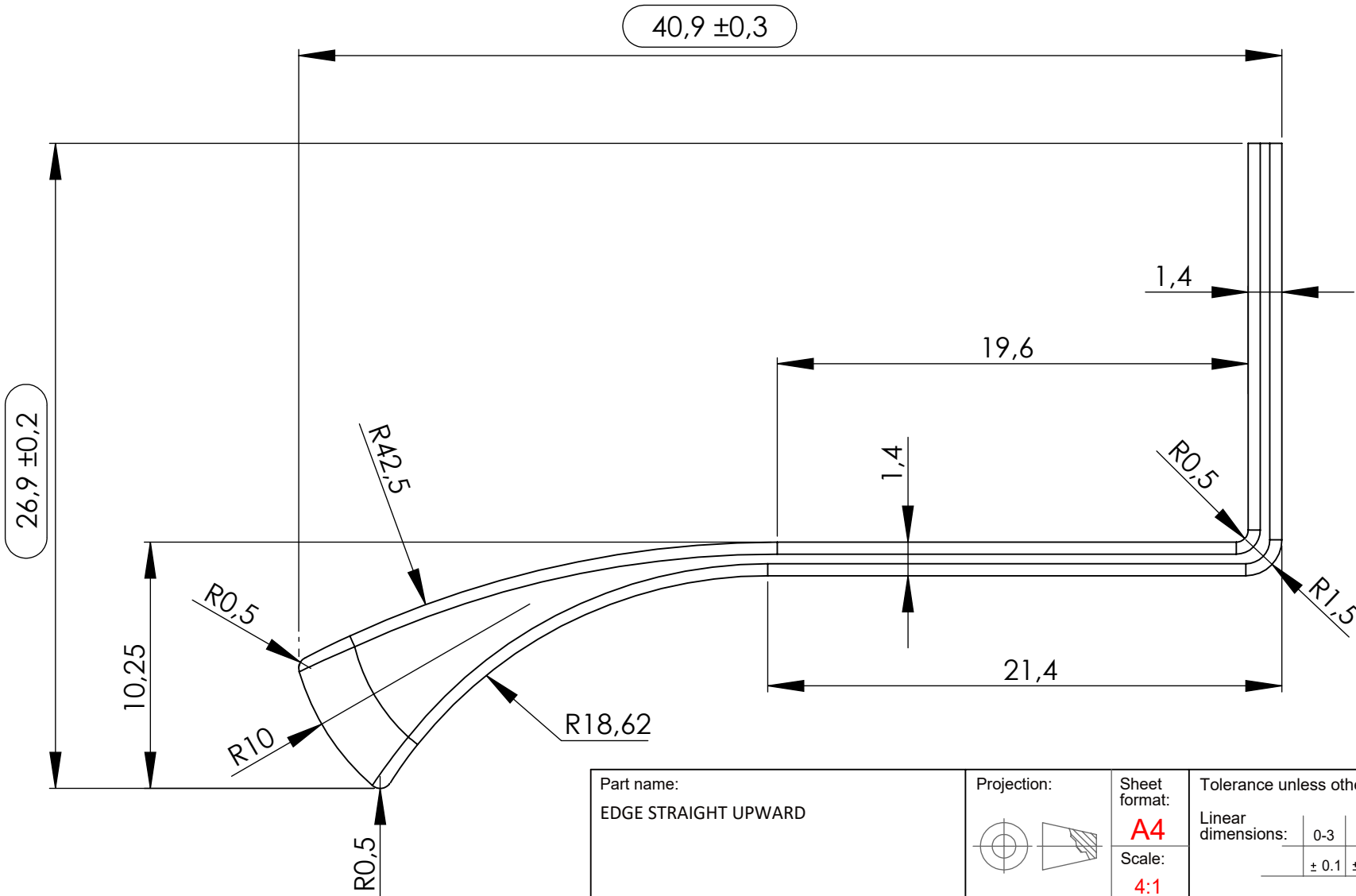


DETAIL B
SCALE 2 : 1

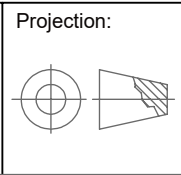


Part name: EDGE STRAIGHT UPWARD	Projection: 	Sheet format: A4	Tolerance unless otherwise specified DS/ISO 2768-1M																			
Customer:	Drawn by: IKR date 22.10.2012	Scale: 1:1	<table border="1"> <tr> <td>Linear dimensions:</td> <td>0-3</td> <td>3-6</td> <td>6-30</td> <td>30-120</td> <td>120-400</td> <td>400-1000</td> <td>1000-2000</td> </tr> <tr> <td></td> <td>± 0.1</td> <td>± 0.1</td> <td>± 0.2</td> <td>± 0.3</td> <td>± 0.5</td> <td>± 0.8</td> <td>± 1.2</td> </tr> </table>				Linear dimensions:	0-3	3-6	6-30	30-120	120-400	400-1000	1000-2000		± 0.1	± 0.1	± 0.2	± 0.3	± 0.5	± 0.8	± 1.2
Linear dimensions:	0-3	3-6	6-30	30-120	120-400	400-1000	1000-2000															
	± 0.1	± 0.1	± 0.2	± 0.3	± 0.5	± 0.8	± 1.2															
Part no.: 435920040	Material: Aluminium	Weight: 12.08 grams	<table border="1"> <tr> <td>Angle</td> <td>Radius</td> <td></td> <td></td> <td></td> </tr> <tr> <td>± 0.5°</td> <td>± 5%</td> <td></td> <td></td> <td></td> </tr> </table>				Angle	Radius				± 0.5°	± 5%									
Angle	Radius																					
± 0.5°	± 5%																					
Page 1 of 5																						
<table border="1"> <tr> <td>Delta 2</td> <td>Phone:</td> <td>+45 87 64 35 00</td> </tr> <tr> <td>DK-8382 Hinnerup</td> <td>Fax:</td> <td>+45 87 64 35 01</td> </tr> </table>						Delta 2	Phone:	+45 87 64 35 00	DK-8382 Hinnerup	Fax:	+45 87 64 35 01											
Delta 2	Phone:	+45 87 64 35 00																				
DK-8382 Hinnerup	Fax:	+45 87 64 35 01																				

Rev.:	Date:	Name:	Description:
B	21-11-2017	IKR	Hole and part no. change
A	10-02-2017	IKR	Initial release
C	19-04-2018	BSC	Diameter for hole changed



Part name:
EDGE STRAIGHT UPWARD



Sheet format:
A4
Scale:
4:1

Tolerance unless otherwise specified DS/ISO 2768-1M

Linear dimensions:	0-3	3-6	6-30	30-120	120-400	400-1000	1000-2000
	± 0.1	± 0.1	± 0.2	± 0.3	± 0.5	± 0.8	± 1.2

Customer:

Drawn by:
IKR date 22.10.2012

Angle	Radius		
± 0.5°	± 5%		

Part no.: **435920040**

Page 2 of 5

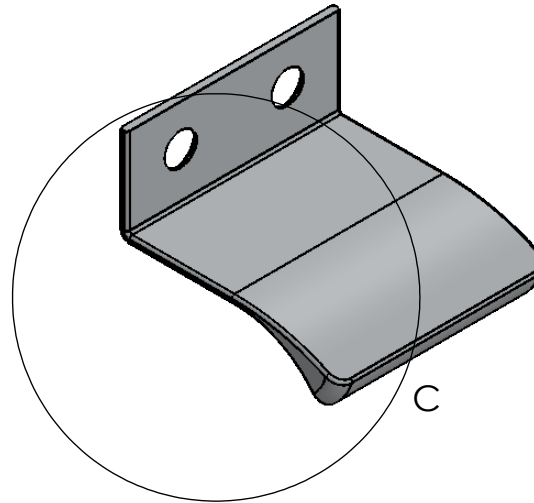
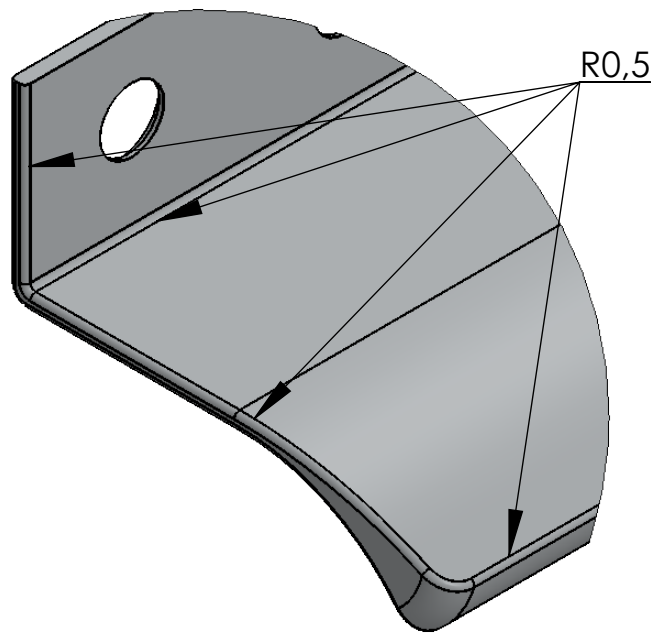
Material:
Aluminium

Weight:
12.08 grams

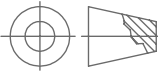



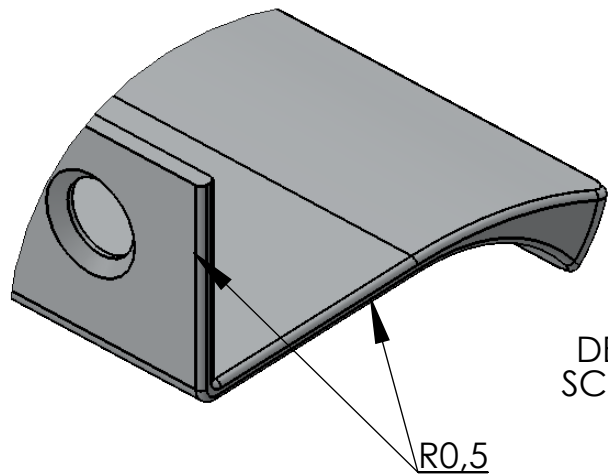
Delta 2 Phone: +45 87 64 35 00
DK-8382 Hinnerup Fax: +45 87 64 35 01

Rev.:	Date:	Name:	Description:
B	21-11-2017	IKR	Hole and part no. change
A	10-02-2017	IKR	Initial release
C	19-04-2018	BSC	Diameter for hole changed

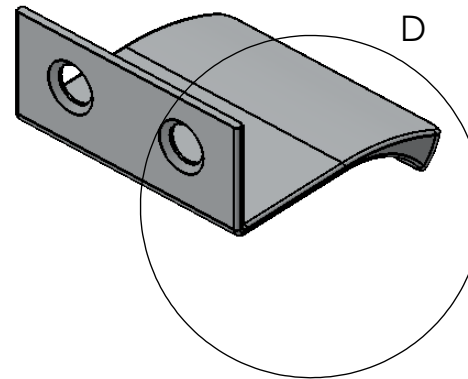


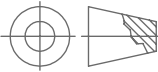

DETAIL C
SCALE 2 : 1

Part name: EDGE STRAIGHT UPWARD		Projection: 	Sheet format: A4	Tolerance unless otherwise specified DS/ISO 2768-1M																				
Customer:		Drawn by: IKR date 22.10.2012	Scale: 1:1	<table border="1"> <tr> <td>Linear dimensions:</td> <td>0-3</td> <td>3-6</td> <td>6 - 30</td> <td>30- 120</td> <td>120- 400</td> <td>400- 1000</td> <td>1000- 2000</td> </tr> <tr> <td></td> <td>± 0.1</td> <td>± 0.1</td> <td>± 0.2</td> <td>± 0.3</td> <td>± 0.5</td> <td>± 0.8</td> <td>± 1.2</td> </tr> </table>					Linear dimensions:	0-3	3-6	6 - 30	30- 120	120- 400	400- 1000	1000- 2000		± 0.1	± 0.1	± 0.2	± 0.3	± 0.5	± 0.8	± 1.2
Linear dimensions:	0-3	3-6	6 - 30	30- 120	120- 400	400- 1000	1000- 2000																	
	± 0.1	± 0.1	± 0.2	± 0.3	± 0.5	± 0.8	± 1.2																	
Part no.: 435920040		Page 3 of 5		<table border="1"> <tr> <td>Angle</td> <td>Radius</td> <td></td> <td></td> </tr> <tr> <td>± 0.5°</td> <td>± 5%</td> <td></td> <td></td> </tr> </table>					Angle	Radius			± 0.5°	± 5%										
Angle	Radius																							
± 0.5°	± 5%																							
Material: Aluminium		Weight: 12.08 grams																						
<table border="1"> <tr> <td>Rev.:</td> <td>Date:</td> <td>Name:</td> <td>Description:</td> </tr> <tr> <td>B</td> <td>21-11-2017</td> <td>IKR</td> <td>Hole and part no. change</td> </tr> <tr> <td>A</td> <td>10-02-2017</td> <td>IKR</td> <td>Initial release</td> </tr> <tr> <td>C</td> <td>19-04-2018</td> <td>BSC</td> <td>Diameter for hole changed</td> </tr> </table>		Rev.:	Date:						Name:	Description:	B	21-11-2017	IKR	Hole and part no. change	A	10-02-2017	IKR	Initial release	C	19-04-2018	BSC	Diameter for hole changed		
Rev.:	Date:	Name:	Description:																					
B	21-11-2017	IKR	Hole and part no. change																					
A	10-02-2017	IKR	Initial release																					
C	19-04-2018	BSC	Diameter for hole changed																					

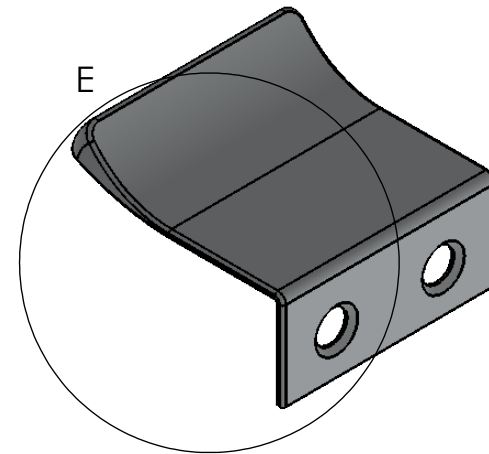
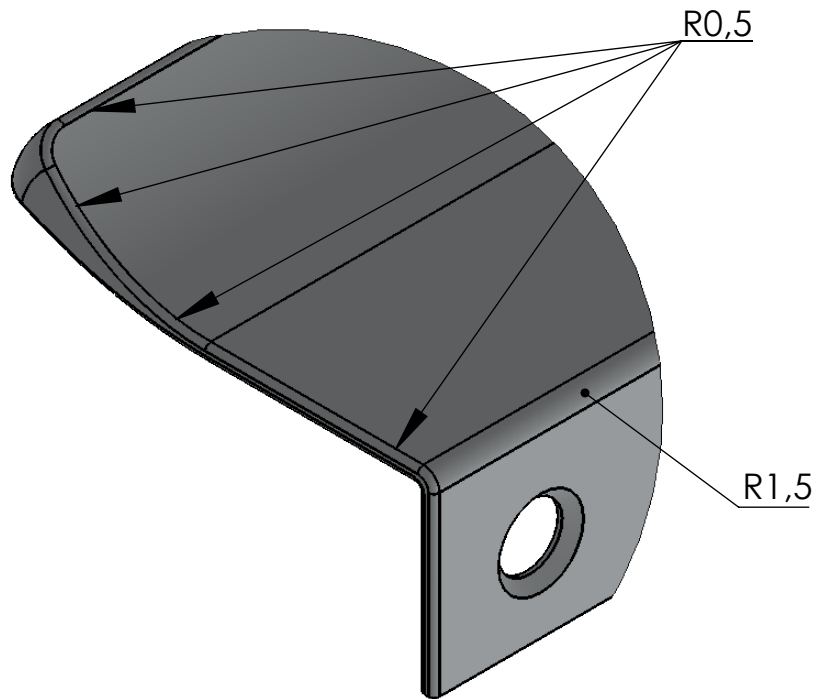


DETAIL D
SCALE 2 : 1



Part name: EDGE STRAIGHT UPWARD	Projection: 	Sheet format: A4	Tolerance unless otherwise specified DS/ISO 2768-1M																			
		Scale: 1:1	<table border="1"> <tr> <td>Linear dimensions:</td> <td>0-3</td> <td>3-6</td> <td>6 - 30</td> <td>30- 120</td> <td>120- 400</td> <td>400- 1000</td> <td>1000- 2000</td> </tr> <tr> <td></td> <td>± 0.1</td> <td>± 0.1</td> <td>± 0.2</td> <td>± 0.3</td> <td>± 0.5</td> <td>± 0.8</td> <td>± 1.2</td> </tr> </table>				Linear dimensions:	0-3	3-6	6 - 30	30- 120	120- 400	400- 1000	1000- 2000		± 0.1	± 0.1	± 0.2	± 0.3	± 0.5	± 0.8	± 1.2
Linear dimensions:	0-3	3-6	6 - 30	30- 120	120- 400	400- 1000	1000- 2000															
	± 0.1	± 0.1	± 0.2	± 0.3	± 0.5	± 0.8	± 1.2															
Customer:	Drawn by: IKR date 22.10.2012		<table border="1"> <tr> <td>Angle</td> <td>Radius</td> <td></td> <td></td> </tr> <tr> <td>± 0.5°</td> <td>± 5%</td> <td></td> <td></td> </tr> </table>				Angle	Radius			± 0.5°	± 5%										
Angle	Radius																					
± 0.5°	± 5%																					
Part no.: 435920040	Page 4 of 5																					
Material: Aluminium	Weight: 12.08 grams																					

Rev.:	Date:	Name:	Description:
B	21-11-2017	IKR	Hole and part no. change
A	10-02-2017	IKR	Initial release
C	19-04-2018	BSC	Diameter for hole changed



DETAIL E
SCALE 2 : 1

Part name: EDGE STRAIGHT UPWARD	Projection: 	Sheet format: A4	Tolerance unless otherwise specified DS/ISO 2768-1M						
		Scale: 1:1	Linear dimensions:						
			0-3	3-6	6-30	30-120	120-400	400-1000	1000-2000
			± 0.1	± 0.1	± 0.2	± 0.3	± 0.5	± 0.8	± 1.2
Customer:	Drawn by: IKR date 22.10.2012		Angle	Radius					
			± 0.5°	± 5%					
Part no.: 435920040		Page 5 of 5							
Material: Aluminium	Weight: 12.08 grams								
Rev.:	Date:	Name:	Description:	Delta 2 Phone: +45 87 64 35 00 DK-8382 Hinnerup Fax: +45 87 64 35 01					
B	21-11-2017	IKR	Hole and part no. change						
A	10-02-2017	IKR	Initial release						
C	19-04-2018	BSC	Diameter for hole changed						